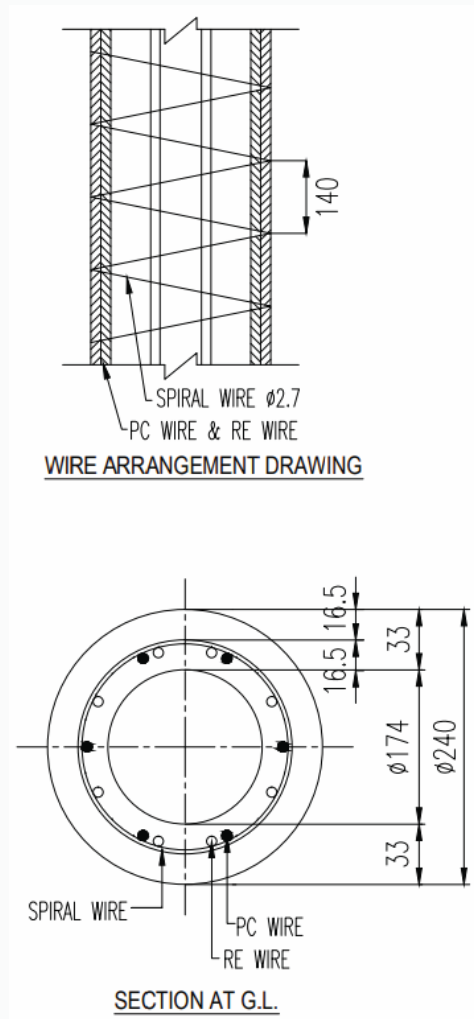
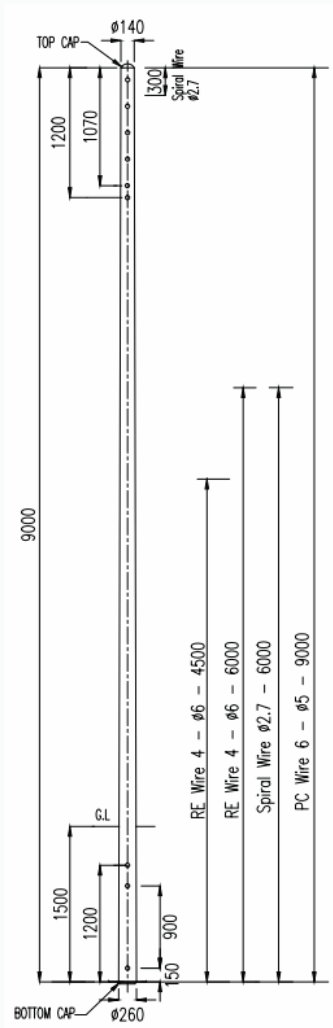




Prestressed Spun Concrete Poles

Our maintenance-free prestressed spun concrete poles are fully accepted and meet the stringent standards set by National Electricity Board of Malaysia, Telecoms Malaysia and Malaysia Railway.

Structural Details



Pole Marking	Length (L)		Top Diameter (d ₀)		Bottom Diameter (D ₀)		Height of Bearing Point (l ₁)		Design Load Point (P)		Design Bending Moment (P X l ₂)		Nominal Weight	
	m	ft	cm	in	cm	in	m	ft	kg	lbs	kg.m	ft.lbs	kg	ft.lbs
6.7M-0.8KN	6.7	22.0	10	3 ¹⁵ / ₁₆	16.7	6 ³ / ₄	1.15	3.8	80	147	424	3180	180	400
7.5M-1.1KN	7.5	24.7	10	4	17.5	6 ³ / ₄	1.30	4.2	112	247	661	4780	210	462
7.5M-2.0KN	7.5	24.7	14	5 ¹ / ₂	24.0	9 ¹ / ₂	1.30	4.2	204	450	1140	8246	320	704
9.0M-2.0KN	9.0	29.7	14	5 ¹ / ₂	26.0	10 ¹ / ₄	1.50	4.9	204	450	1406	10170	410	902
10.0M-5.0KN	10.0	32.8	19	7 ¹ / ₂	32.3	12 ³ / ₄	1.70	5.5	500	1102	4025	29112	780	1720

ZENN HRB SDN BHD

Company Registration No: 710220-U

Office

Lot 139494, Kawasan Perindustrian Pengkalan Pegoh,
Jalan Pengkalan, Lahat, 31500, Ipoh, Perak



Certified to ISO 9001:2015
Cert. No. QMS 03310

