

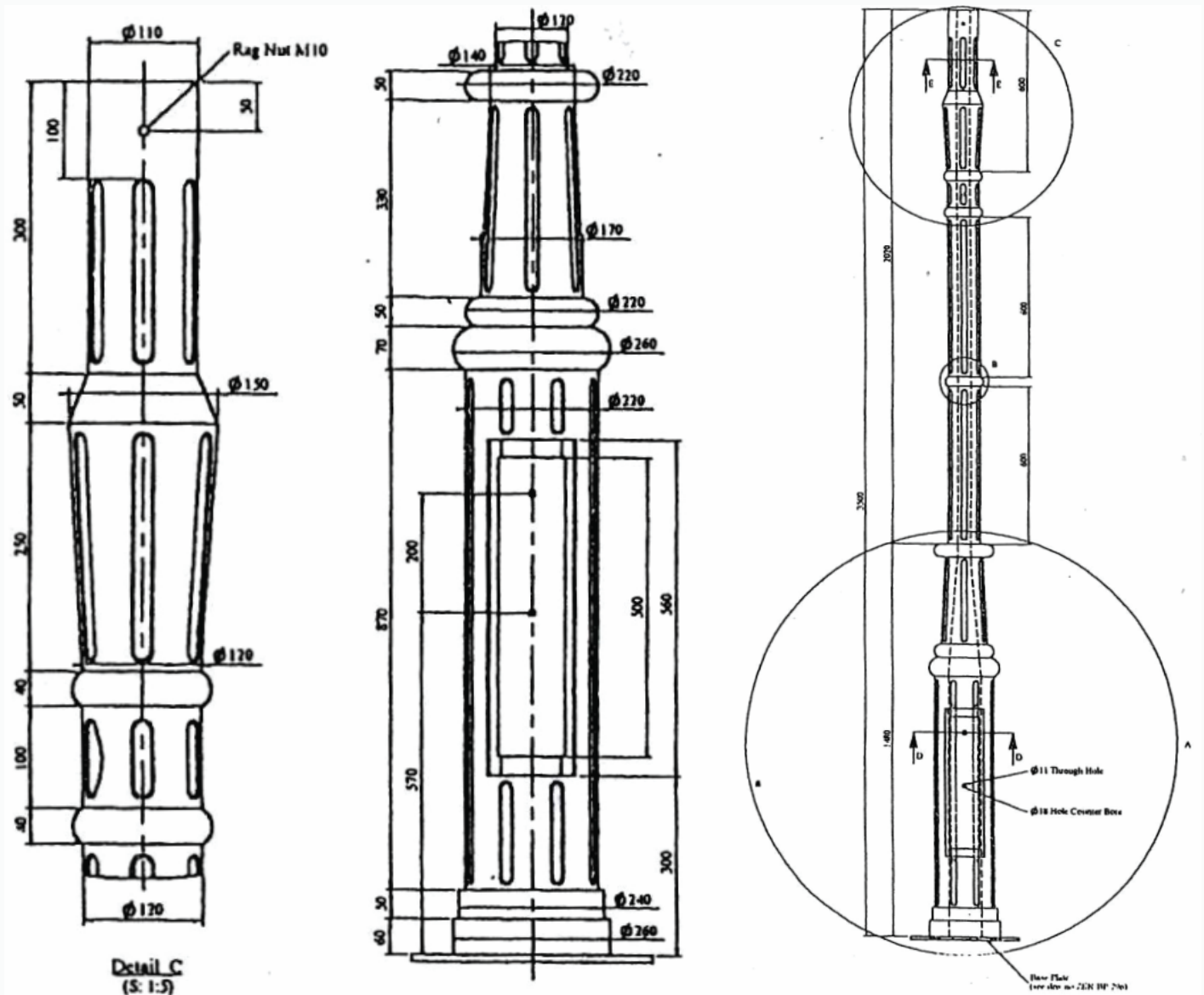


Decorative Poles

Tried and tested across hundreds of projects across Malaysia, our decorative poles gives you a highly cost-effective yet low maintenance solution with unmatched strength, durability and reliability.



Structural Details



Pole Marking	Length (L)		Top Diameter (d ₀)		Bottom Diameter (D ₀)		Design Load Point (P)		Nominal Weight		Design Bending Moment (P X I ₂)	
	m	ft	cm	in	cm	in	kg	lbs	kg	lbs	kg.m	ft.lbs
3.5-11-120	3.5	11.5	11	4 ⁵ / ₁₆	26	10 ⁴ / ₁₆	120	265	180	397	390	2825
10.0-12-150	10.0	32.8	12	4 ¹¹ / ₁₆	30.0	11 ¹³ / ₁₆	150	331	700	1544	1463	10581

ZENN HRB SDN BHD

Company Registration No: 710220-U

Office

Lot 139494, Kawasan Perindustrian Pengkalan Pegoh,
Jalan Pengkalan, Lahat, 31500, Ipoh, Perak



Certified to ISO 9001:2015
Cert. No. QMS 03310

